

glee

Ortho on the go.

TRUCK AND EQUIPMENT DESCRIPTION

Schedule a visit today!
We come to you.

A SAMPLE PROMO - POSTED ON YOUTUBE AND FACEBOOK



<https://youtu.be/AVAush0kKg0>

Glee Studio - Mobile Care Unit



INSURANCE IDENTIFICATION CARD - CALIFORNIA

Policy Number: 01081358-0

NAIC Number: 11770

Effective Date: 08/31/2019

Expiration Date: 08/31/2020

Policy Type: Commercial

Insurer: UNITED FINANCIAL CAS CO 1-800-444-4487
PO BOX 94739 CLEVELAND, OH 44101

Named Insured(s):

GLEE INC

Your Agent:

KRAFT LAKE INS 1-800-339-3114
PO BOX 1426 LOC 3100
GRAND RAPIDS, MI 49501

Year Make

2016 FORD

Model

F550 SUPER DUTY

VIN

1FDUF5GY9GEB17092

19,500 LB GVW

18' Rockport Box with curbside slider door with step wel
18 ft - Length X 7.5 ft - Width X 6.5 ft - height

Example: [here](#)

2016, Ford F550 SUPERDUTY
1FDUF5GY9GEB17092

Ortho on the go.



Glee Studio - Mobile Care Unit



- Two wash basins (sterile and non-sterile) cold and hot water
- 46" TV for case presentation (with HDMI input near the chair)
- Lots of storage space
- Refrigerator
- Modern track LED lighting
- Two air conditioning units
- Two generators

- Spa Chair with multi axis control (included)
- New Tom X-ray (Pano Only)
- Brand New iTero Scanner (can be added)
- Dental delivery unit (included)
- Autoclave and sterilizers (included)



Itemization

Item Name	Asset Price	Condition
46" TV for case presentation (with HDMI input near the chair)	Included as part of Truck no additional cost	Brand new
Refrigerator	Included as part of Truck no additional cost	Brand new
Spa Chair with multi axis control (Medi Spa)	\$3200 - Can be included as part of Truck at no additional cost	Brand new
New Tom X-ray	\$27000 * - negotiable	Brand new
iTero Scanner	\$310000 * - negotiable	Brand new
Mobile dental delivery unit (Pro Cart II)	\$9800 * - negotiable	Brand new
Sterilizer/Autoclave (Prestige Medical 2100)	\$980 * - negotiable	Brand new
Sterilizer (STATIM 2000)	\$2900 * - negotiable	Brand new

Glee Studio - Mobile Care Unit Orthodontist's Verdict

“

The overall design is very well thought. I am impressed to see how every bit of the space is well utilized and is meaningful both clinically and from patient's point of view.

Dr. Paul Kim visiting Glee Studio for first impression and feedback
Los Gatos - 09/27/2019 - Los Gatos, CA



Ortho on the go.

Product References

Dental Chair - Medi-Spa Chair



Specifications:

- Dimensions: (L x W x H) 73" x 33" x 25"-37"
- Capacity of 350 lbs
- Headrest Extension: +/- 3"
- Backrest Angle: 0° to 80°
- Seat Angle: 0° to 10°
- Rotation: 0° to 240°
- Footrest Angle: 0° to 85°
- Height Up and Down: 25" - 37"
- Footrest Extension: +/- 5.5"
- Colors Available: Black / White

\$2,799.00 & FREE Shipping

NewTom GiANO

2D Panorex (upgradable to 3D Cone Beam)



Patient positioning

Standing or seated. Wheelchair accessible

Weight and dimensions

Height: min 1650 mm (65 in) - max 2410 mm (95 in)
Width: 1340 mm (52.8 in), width with Ceph: 1830 mm (72 in)
Depth: 1430 mm (56 in), depth with bracket for wall fixing 1520 mm (59.8 in)
Total weight: 170 Kg (375 lbs), with teleradiographic arm 190 Kg (419 lbs)

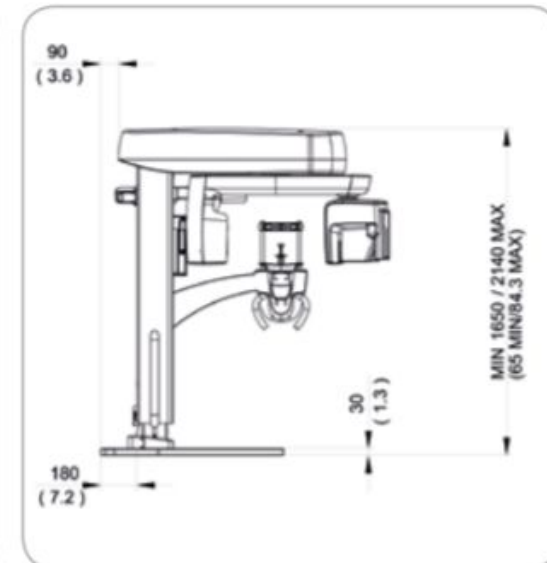
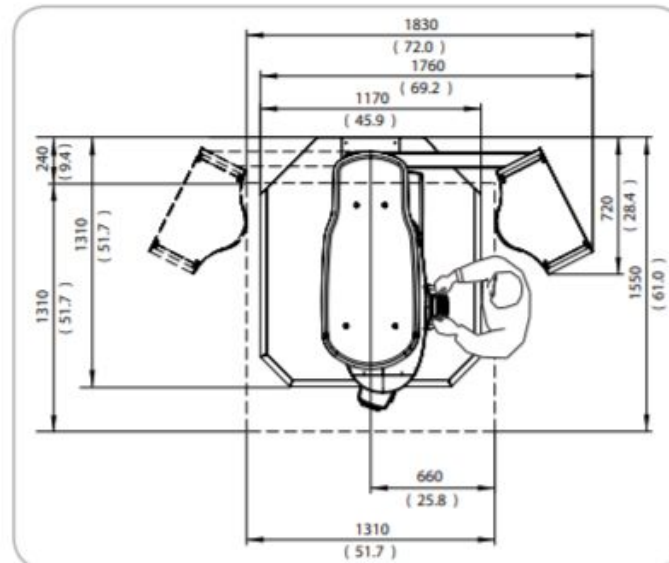
Software

NNT™ with free viewer and sharing application

Power required

15A @ 115 V~, 10A @ 240 V~, 50/60 Hz

Dimensions in millimeters (dimensions in inches)





ProCart II

Self-Contained Mobile Treatment Console

110 V Part # 2200

220 V Part # 2210

Specifications

DIMENSIONS/WEIGHT

Width: 20" (50.8 cm)

Depth: 21" (53.3 cm)

Height: 30" to 34" adjustable (76.2 cm
86.4 cm)

Weight: 100 lbs. (45.5 kg)

Electrical

Power Supply: 115 Vac, 60 Hz or 220

Vac, 50 Hz

Circuit breaker protection: 15 amps

Hospital grade wiring, NEMA type 5-

15 Plug

Compressor

Oil-free 1/3 hp motor

Working pressure: 70 to 100 psi

Flow rate: 2.5 cfm

Sound level: 48 dB

Air reservoir: 4 liters

Automatic air tank purge

Vacuum Motor

Oil-free 1/3 hp motor

Adjustable vacuum: 0" to 21"Hg

Vacuum flow: 4.6 cfm

Waste receptacle: 4 liters

Sound level: 48 dB

Automatic overflow shutoff

Aseptic filtered exhaust

Large volume solids trap

Automatic waste removal

Water Module

1.5 liter reservoir

Pressurized system: 30 to 40 lbs

Aseptic non-retracting HPC coolant

Handpiece flush system

External quick connects for water and air

Sterilizer - Prestige Medical 2100 Classic Portable Sterilizer



DIMENSIONS: Total Height: 13.2" Total Width: 13.4" Chamber Diameter: 8.3" Chamber Height: 9.3" Maximum Load Weight: 6.6 lbs. Maximum Instrument Size: 9"

CSA Approved. Power 120V, 10 Amp.

Compact and Portable

- Easy to Operate
- **Voltage: 110V**
- Fast, 11 minute, 126°C sterilizing cycle
- Complete cycle takes 28 minutes estimated to complete. Takes about 8 min. to pressurize, 11 minutes to sterilize, and 8 minutes to cool down.
- **Light Weight: Only 11.5 lbs.**
- Cost Effective
- 9 Liter Capacity
- Includes Instrument Basket

Sterilizer

STATIM 2000 G4



Unit Size (L x W x H)	19.5" x 16.3" x 5.9" or 49.5 cm x 41.5cm x 15cm
Cassette Internal Dimensions	11" x 7.1" x 1.4" or 28cm x 18cm x 3.5cm
Weight Without Water	46lbs or 21kg
Power Consumption	110V, 60Hz, 11A