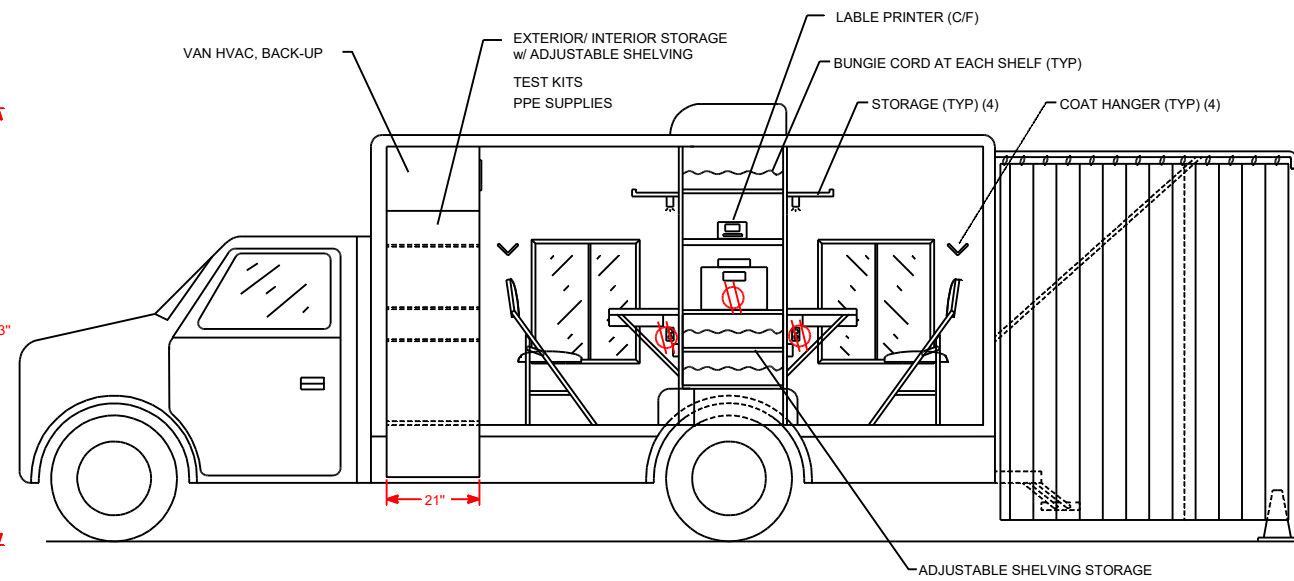
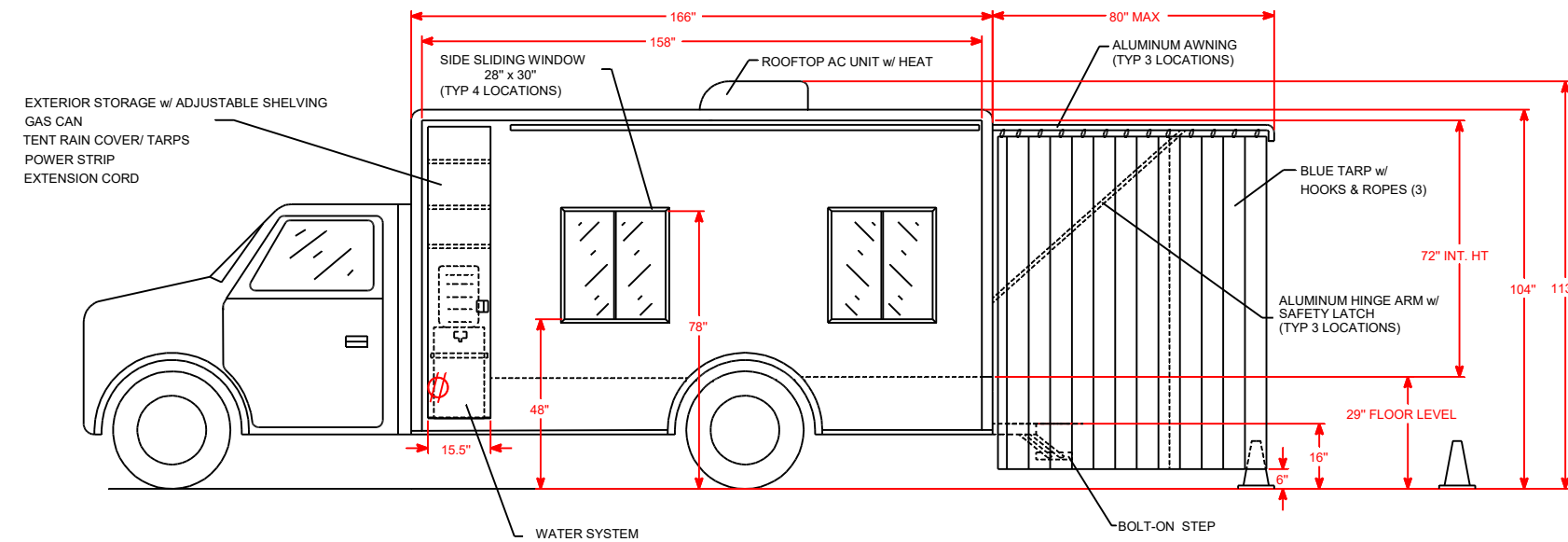
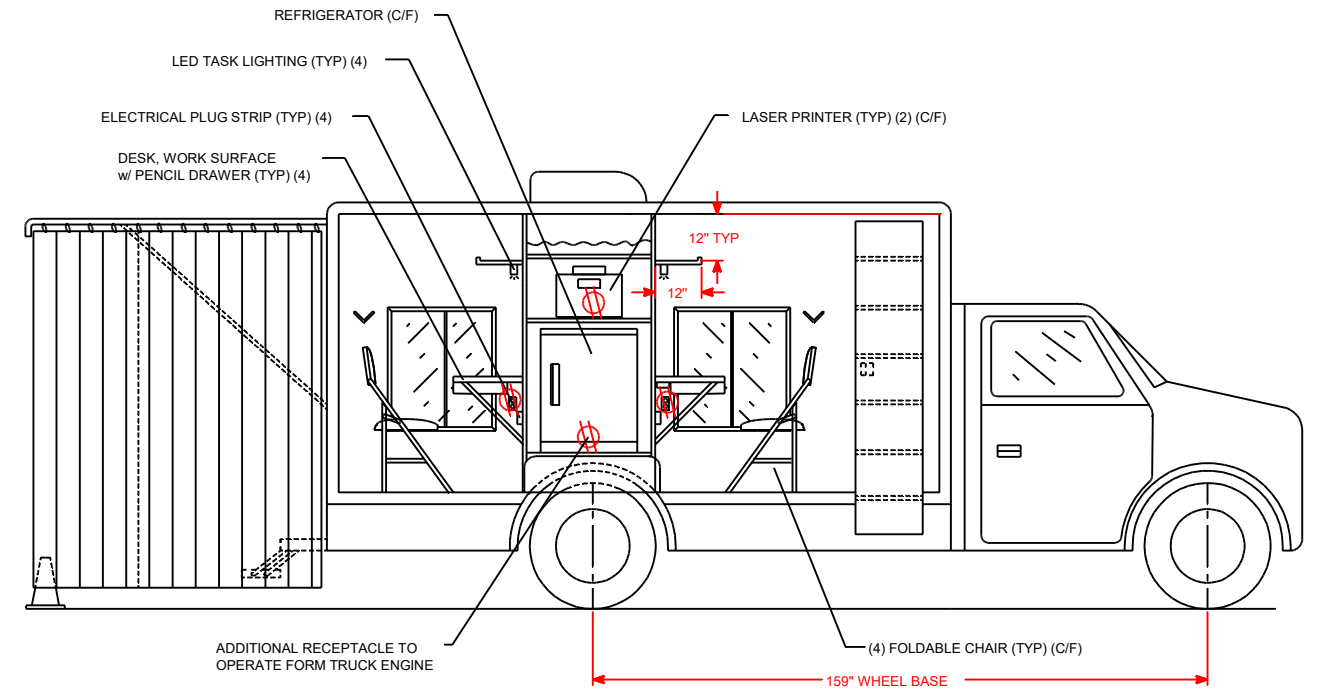
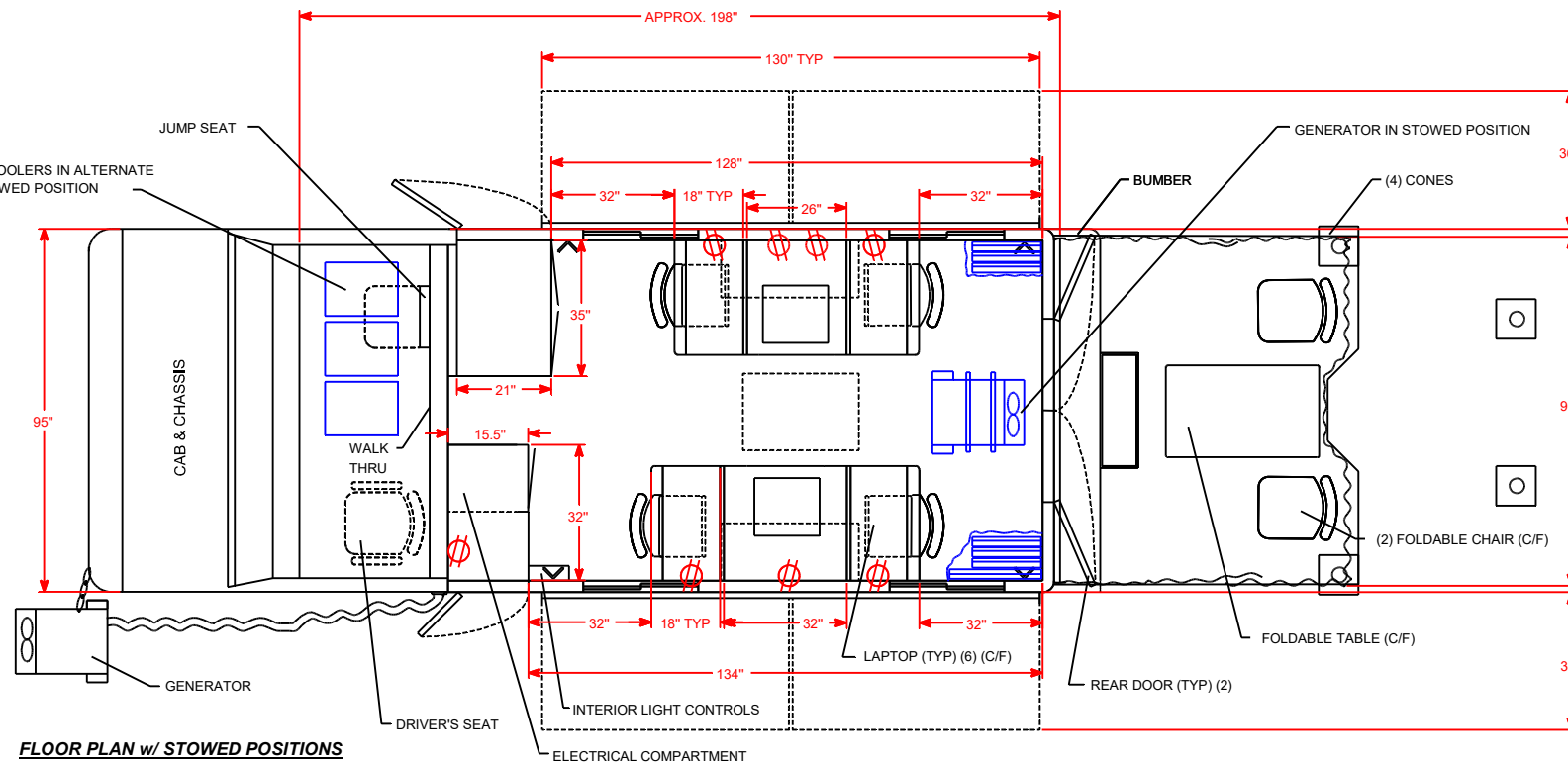


NOTE:
 1) SHELVES TO SLANT SLIGHTLY BACKWARDS.
 2) HOOKS FOR BUNGIE CORDS ACROSS FRONT OF INTERIOR SHELVING.
 3) GENERATOR, COOLERS, FOLDING TABLE, AND FOLDING CHAIRS SHOWN IN SECURED STOWED POSITION WITH THE COLOR BLUE.



PROPRIETARY

THIS DRAWING WAS ORIGINATED BY AND IS THE EXCLUSIVE PROPERTY OF MOBILE CONVERSIONS INC. IT IS FURNISHED FOR RECIPIENT'S INFORMATION ONLY AND IS NOT AN AUTHORIZATION OR LICENSE TO MAKE THIS CONSTRUCTION OR TO FURNISH THIS TO OTHERS.

UNLESS OTHERWISE SPECIFIED: DIMENSIONS ARE IN INCHES		CONTRACT NO.		MOBILE CONVERSIONS INC. 3354 STATE ROUTE 132, AMELIA, OH 45102 www.mobileconversions.com 513-797-1991	
TOLERANCES		DRAWN BY: NICK SAMAD		DATE 10/13/2020	
DECIMALS .XX ± .03 .XXX ± .010	ANGULAR ±	CHECKED BY:		-	
MATERIAL		APPROVED BY:		-	
FINISH		FILE:		-	
SIMILAR TO					
		TITLE MOBILE COVID-19 TESTING CENTER		DWG. NO. 1001160G	
SIZE B	CAGE CODE	SCALE		RELEASE DATE	SHEET 1 OF 1

APPROVED _____ DATE _____

10 9 8 7 6 5 4 3 2 1